

## HYDRAULIC TROLLEY JACKS

Optimum use and distribution of material thanks to the rear side openings and front side reinforcements.

They lift everything from cars to heavy duty trucks.

Intended use: truck fleet, bus company garages, heavy construction and agricultural equipment maintenance garages.

Spring loaded "T" handle can be activated to lower load in any handle position by pulling and rotating it clockwise 1/4 turn.

Huge steel wheels at mid-weight point for easy manoeuvring.

Note: model not shown (T12) has same basic construction as model pictured (T10).

Lighter yet stronger.

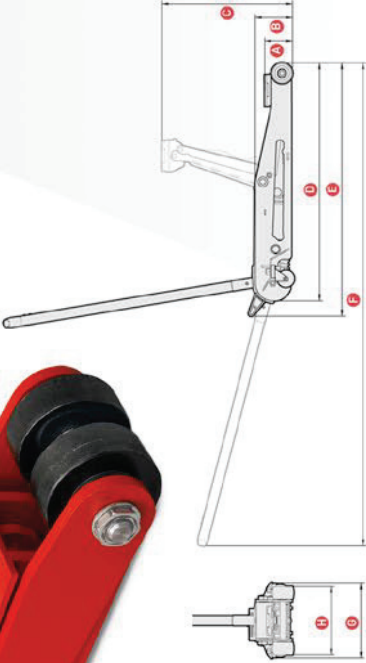
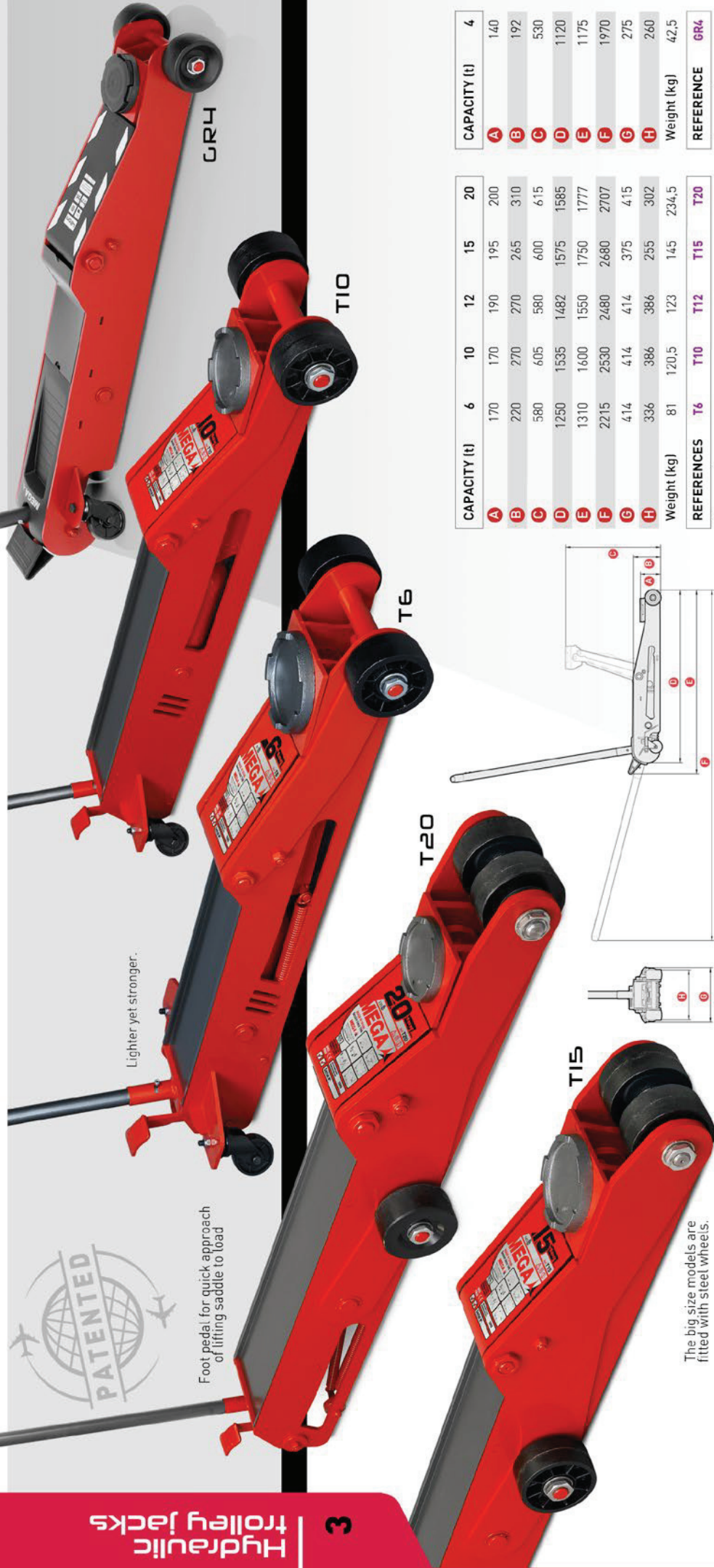
Foot pedal for quick approach of lifting saddle to load



**BUREAU  
VERITAS**  
EN 1494

**GR4** intended use: vans, minibuses, 4 wd's. It substitutes in technical characteristics to our old T3 model.

For 3 ton models we have created a complete new range (see previous page).



CAPACITY (t)	6	10	12	15	20
<b>A</b>	170	170	190	195	200
<b>B</b>	220	270	270	285	310
<b>C</b>	580	605	580	600	615
<b>D</b>	1250	1535	1482	1575	1585
<b>E</b>	1310	1600	1550	1750	1777
<b>F</b>	2215	2530	2480	2680	2707
<b>G</b>	414	414	414	375	415
<b>H</b>	336	386	386	255	302
Weight (kg)	81	120,5	123	145	234,5
<b>REFERENCES</b>	<b>T6</b>	<b>T10</b>	<b>T12</b>	<b>T15</b>	<b>T20</b>

CAPACITY (t)	4
<b>A</b>	140
<b>B</b>	192
<b>C</b>	530
<b>D</b>	1120
<b>E</b>	1175
<b>F</b>	1970
<b>G</b>	275
<b>H</b>	260
Weight (kg)	42,5
<b>REFERENCE</b>	<b>GR4</b>

Measures in mm.

Measures in mm.

The big size models are fitted with steel wheels.